

# **SINGER**

## **108W5**

# LIST OF PARTS



## MACHINE No. 108w5

THE SINGER MANUFACTURING COMPANY

### INDEX

	PAGE
ACCESSORIES .....	15
BINDERS .....	18
BOBBIN WINDER .....	15
KNEE LIFTER .....	16
KNIFE GRINDER .....	18
MACHINE No. 108w5 .....	7
NUMERICAL LIST OF PARTS .....	21
OBSOLETE PARTS .....	20
RIBBON REEL .....	17

From the library of: Diamond Needle Corp

# Instructions for Ordering

In ordering from this list, use **ONLY** the **PART** number in the **FIRST** column.

The number stamped on a Sewing Machine Part is the number of the Single Part only, except when the part includes Set Screws, Clamping Screws, Studs and Rollers Spun on, Small Wires riveted, or Parts soldered together, etc., which it is necessary to furnish in combination.

Every combination of parts sent out has its specific number which, although not stamped on Parts (except in above cases) must be used when ordering the combination.

Each number always indicates the **SAME PART** in whatever list it appears, or for whatever Machine.

The letters after some of the numbers indicate the style of finish only, as follows:

- A. Hardened, Polished and Plated.
- B. Polished and Plated.
- C. Hardened only.
- D. Polished only.
- E. Soft, not polished.
- F. Hardened and Polished.
- H. Blued.

These letters **MUST BE USED** when they appear in the list and **AFTER** the number, as in the list.

In this series

- 200001 to 201500 are Screw Numbers.
- 201501 to 201800 are Nut Numbers.
- 201801 to 202000 are Roller Numbers.
- 202001 and upward are numbers of Machine Parts.

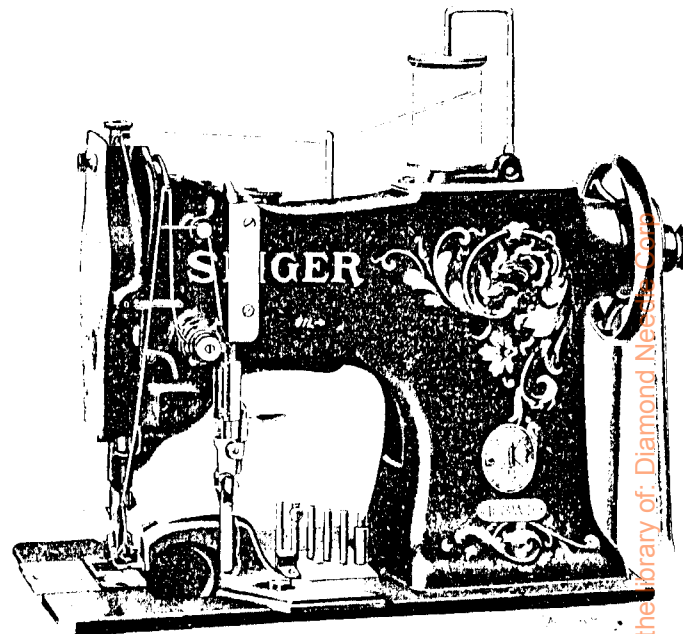
The figures in the second column refer only to the plate in which the illustration of the part is shown and are **NOT TO BE USED** in ordering.

Two or more numbers over a cut indicate that the difference between such parts is not visible in an illustration.

Parts marked with an asterisk (\*) are furnished only when repairs are made at the factory.

## LIST OF PARTS COMPLETE

FOR



From the Library of: Diamond Needle Company

## MACHINE No. 108w5

For Trimming and Binding Corsets, Brassiers, Dresses, and other similar work, at one operation.

No.	Plate	Name
*224601		Arm .....
203091	11670	" Cap .....
200278H	10244	" " Screw .....
202248	10244	" " " Washer .....
203089		" " Spool Holder Base .....
203090		" " " " " 203089 with 200079H and 204296 .....
200585H	11672	Arm Cap Spool Holder Base Screw
204296	11670	" " " " Wire .....
200079H	10668	" " " " " Hinge Screw .....

No.	Plate	Name
203092	11670	Arm Cap and Spool Holder complete, Nos. 203090, 203091 and two 200585H .....
204235	10668	Arm Position Pin (2) .....
200010E	11672	" Screw (3) .....
202005	11672	" " Washer (3) .....
208523	11670	" Shaft with 200357E .....
202243	11670	" " Bushing (back) with 202244 .....
202244	----	Arm Shaft Bushing (back) Oil Packing (wick) .....
200338C	10244	Arm Shaft Bushing (back) Set Screw .....
202245	11670	Arm Shaft Bushing (front) with 202036 and 202260 .....
202260	- -	Arm Shaft Bushing (front) Oil Packing (wick) .....
200502B	11693	Arm Shaft Bushing (front) Oil Packing Thumb Screw .....
202036	10668	Arm Shaft Bushing (front) Position Pin .....
200338C	10244	Arm Shaft Bushing (front) Set Screw .....
202530	11670	Arm Shaft Connection Belt .....
202252	10244	" " " " Pulley with 200327C, 200602E and two 202253 .....
200602E	10244	Arm Shaft Connection Belt Pulley Position Screw .....
200327C	10244	Arm Shaft Connection Belt Pulley Set Screw .....
202253	10244	Arm Shaft Connection Belt Pulley Spring Flange .....
208573	11670	Arm Shaft Counter Balance with 200335C .....
200335C	10244	Arm Shaft Counter Balance Set Screw .....
200357E	10244	Arm Shaft Oil Packing Stop Screw .....
202255	11682	Balance Wheel (belt groove 2 1/2 in. diam.) with 200328C and 200335C .....
200328C	10244	Balance Wheel Position Screw ..
200335C	10244	" " Set Screw .....
*224602	----	Bed .....
202258	12345	" Hinge Connection .....
200570E	11672	" " " Screw .....
210616	11670	" Slide (front) .....
200577H	11672	Binder Base Plate Screw .....
202265	11671	Bobbin .....
*202806	- -	" Case .....
202267	11671	" " Latch .....

No.	Plate	Name
*202056	- -	Bobbin Case Latch Pin .....
202269	11671	" " " Plunger .....
202270	11671	" " " Spring .....
202716	11671	" " Tension Spring .....
200984C	11671	" " " " Regulating Screw .....
200594C	11671	Bobbin Case Tension Spring Screw .....
202533	11671	Bobbin Case complete, Nos. 200594C, 200984C, 202056, 202267, 202269, 202270, 202716 and 202806 .....
208535	11682	Face Plate .....
202135	11672	" " Position Pin .....
200462E	11672	" " Thumb Screw .....
208538	11672	Feed Driving Connection (brass) with 202277 .....
202277	----	Feed Driving Connection Oil Packing (wick) .....
208539	11672	Feed Driving Connection Stud (eccentric) with 202254 .....
202254	----	Feed Driving Connection Stud Oil Packing (wick) .....
200362C	11672	Feed Driving Connection Stud Set Screw .....
208331	11675	Feed Driving Eccentric Regulating Bracket .....
208332	----	Feed Driving Eccentric Regulating Bracket 208331 with 202252, two each 201014C and 201525E .....
202301	11691	Feed Driving Eccentric Regulating Bracket Plunger .....
202595	11691	Feed Driving Eccentric Regulating Bracket Plunger Spring .....
200607C	11691	Feed Driving Eccentric Regulating Bracket Plunger Spring Stop Screw .....
201014C	11672	Feed Driving Eccentric Regulating Bracket Hinge Screw .....
201525E	11672	Feed Driving Eccentric Regulating Bracket Hinge Screw Nut .....
201014C	11672	Feed Driving Eccentric Regulating Bracket Stop Screw .....
201525E	11672	Feed Driving Eccentric Regulating Bracket Stop Screw Nut .....
201002C	11675	Feed Driving Eccentric Regulating Screw .....
200383C	11691	Feed Driving Eccentric Regulating Screw Check Screw .....
208333	11675	Feed Driving Eccentric Regulating Screw Socket .....

From the library of: Diamond Needle Corp

No.	Plate	Name
208334	11675	Feed Driving Eccentric Regulating Slide .....
208335	11675	Feed Driving Eccentric Regulating Slide Spring .....
208360	11691	Feed Regulating Spindle with 202311, 202443, 202619 and 210554
*202311	-----	Feed Regulating Spindle Head ...
202443	10244	" " " " Pin
202619	10668	" " " " Position Pin .....
210554	10668	Feed Regulating Spindle Spring (flat) .....
*208509	-----	Hook (sewing) .....
206750	11671	" 208509 with 200145u, 200596e, 200614c, 202728, 203101, 206751, 206775 and 208579 .....
206746	-----	Hook and Bobbin Case complete, Nos. 202533 and 206750 .....
208579	11671	Hook Gib .....
200614c	11671	" " Hinge Screw .....
200596e	11671	" " Screw .....
203101	-----	" Oil Wick .....
*202728	-----	" Shaft, 9/16 in. long .....
202321	11671	" " Bushing (back) .....
200346c	11671	" " " " Set Screw
224653	11691	" " " (front) .....
200346c	11671	" " " " Set Screw
202323	10244	" " Connection Belt Pulley with 202324 and two 201018c ...
201018c	11672	Hook Shaft Connection Belt Pulley Set Screw .....
202324	10244	Hook Shaft Connection Belt Pulley Spring Flange .....
202260	-----	Hook Shaft Oil Packing (wick) (2)
206775	11671	" " Pin .....
206751	11671	" Washer .....
200145u	11671	" " Screw .....
208542	11682	Knee Lifter Connection Lever with 202446 .....
208543	-----	Knee Lifter Connection Lever 208542 with 200224u, 200262u, 208544 and 208592 .....
200224u	11672	Knee Lifter Connection Lever Hinge Screw .....
208592	11682	Knee Lifter Connection Lever Lifting Rod with 202302 .....
202302	11691	Knee Lifter Connection Lever Lifting Rod Cotter Pin .....
202446	11691	Knee Lifter Connection Lever Pin
208544	11682	" " Lifting Lever .....

No.	Plate	Name
200262u	11672	Knee Lifter Lifting Lever Hinge Screw .....
224612	11692	Knife (oscillating) .....
224613	11692	" Bracket .....
224614	11692	" " Ring .....
200152u	11691	" " " Screw (2) .....
201396b	11691	" " " Screw .....
228043	11691	" " " Washer .....
201465b	-----	" Cover Hinge Screw .....
200152u	11691	" " " Screw .....
224655	-----	" " Section (lower) .....
224656	-----	" " " (upper) .....
224616	11692	" Driving Bar .....
224617	11692	" " " Disengaging Slide .....
224618	-----	Knife Driving Bar Disengaging Slide 224617 with 200366u, 215329, 224619 and 224621 .....
224619	11691	Knife Driving Bar Disengaging Slide Latch .....
215329	11691	Knife Driving Bar Disengaging Slide Latch Hinge Pin .....
200366u	10252	Knife Driving Bar Disengaging Slide Latch Hinge Pin Set Screw
224620	11691	Knife Driving Bar Disengaging Slide Latch Plate .....
224621	11691	Knife Driving Bar Disengaging Slide Latch Spring .....
224622	11691	Knife Driving Bar Disengaging Slide Spring .....
224623	11691	Knife Driving Bar Disengaging Slide Spring Socket .....
200188b	11691	Knife Driving Bar Disengaging Slide Spring Socket Screw (2) ..
224624	11691	Knife Driving Bar Slide Block ....
224625	11693	" " " " Plate ....
200578u	11691	" " " " " Screw (2) .....
224626	11693	Knife Driving Link with 200125e ...
224627	11693	" " " Hinge Stud ..
200125e	11693	" " " " " Set Screw .....
208545	11672	Lifting Bell Crank .....
224628	11693	" " " Driving Crank
208547	11672	" " " " " Link .....
202277	-----	Lifting Bell Crank Driving Crank Oil Packing (wick) .....
201012c	11672	Lifting Bell Crank Driving Crank Position Screw .....

No.	Plate	Name
200374c	10668	Lifting Bell Crank Driving Crank Set Screw .....
200996c	11673	Lifting Bell Crank Stop Screw ...
224629	11693	" Presser Foot Plate .....
224630	11693	" " " Shank .....
224631	---	Lifting Presser Foot (hinged) complete, Nos. 224629 and 224630 ..
200074F	11672	Lifting Presser Foot Screw .....
224654	11693	" " " Spring (flat)
200175H	11693	" " " " Screw
224632	11693	Needle Bar with 200141F .....
208549	11682	" " and Needle Plate Carrier Frame with 200362c, 200997c and 208550 .....
200999c	11673	Needle Bar and Needle Plate Carrier Frame Hinge Screw .....
200998c	11673	Needle Bar and Needle Plate Carrier Frame Hinge Screw Stud ..
208550	11673	Needle Bar and Needle Plate Carrier Frame Hinge Screw Stud Bushing (split) .....
200997c	11673	Needle Bar and Needle Plate Carrier Frame Hinge Screw Stud Bushing Position Screw .....
202277	---	Needle Bar and Needle Plate Carrier Frame Hinge Screw Stud Oil Packing (wick) .....
208551	11673	Needle Bar Connecting Link .....
208552	11673	" " " Stud with 200086c and 202330 .....
202330	---	Needle Bar Connecting Stud Oil Packing (wick) .....
200086c	11673	Needle Bar Connecting Stud Pinch Screw .....
224633	11692	Needle Bar Crank with 200335c, 200374c, 200428c and 201012c ...
224634	---	Needle Bar Crank 224633 with 200996c, 202398, 202400, 208545, 208547, 208551, 208552, 208555, 208557, 224624, 224628, 224643 and 224644 .....
203172	11673	Needle Bar Crank Friction Washer
200428c	11673	" " " Position Screw..
200335c	10244	" " " Set Screw .....
208315	11694	" Plate, 50 needle hole, for needle sizes 14 and 15 .....
201387F	11693	Needle Plate Screw .....
224635	11694	" " Slide Plate (adjustable) .....

No.	Plate	Name
200054E	11693	Needle Plate Slide Plate Screw (2) .....
202101	11674	Needle Plate Slide Plate Screw Washer (2) .....
200141F	11674	Needle Set Screw .....
208554	11675	Oil Leader (brass) (for back hook shaft bearing) .....
208566	11670	Presser Bar with 200074F .....
208567	11674	" " Bushing .....
200352c	11674	" " " Set Screw ....
202339	11674	" " Lifter .....
200653c	11674	" " " Hinge Screw ..
208555	11673	" " Lifting Bracket with 200054b .....
200975F	11674	Presser Bar Lifting Bracket Guide Screw .....
200054b	11693	Presser Bar Lifting Bracket Pinch Screw .....
208556	11674	Presser Bar Spring .....
200494B	11674	" " Thumb Screw (pressure regulating) .....
200475e	10668	Presser Bar Thumb Screw Thumb Set Screw .....
202355	10668	Presser Bar Thumb Screw Thumb Set Screw Packing (brass) ....
224636	11694	Presser Foot (auxiliary) .....
224637	11694	" " " Guide Collar with 201397e .....
201397e	11694	Presser Foot (auxiliary) Guide Collar Screw .....
224638	11694	Presser Foot (auxiliary) Spring ..
201398c	11694	" " " " Stop Screw .....
202397	10668	Take-up (auxiliary) .....
200842e	10668	" " Screw .....
202398	10247	" Lever .....
208557	11673	" " Driving Stud with 202277 .....
202277	---	Take-up Lever Driving Stud Oil Packing (wick) .....
202400	10247	Take-up Lever Hinge Stud with 202423 .....
202423	---	Take-up Lever Hinge Stud Oil Packing (wick) .....
200383c	11691	Take-up Lever Hinge Stud Set Screw .....
208558	11674	Take-up Lever Oil Guard with 223655 and 224572 .....

No.	Plate	Name
200161H	10272	Take-up Lever Oil Guard Screw ..
223655	---	" " Oiling Felt .....
224572	11694	" " " " Rivet ..
202402	10247	Tension Disc (back) .....
202403	10247	Tension Disc (front) .....
208583	11674	" Release Plunger .....
208559	11675	" " Slide .....
208560	11675	" " " Spring .....
202405	10247	" " Washer .....
202407	10881	" Spring .....
200625F	10247	" Stud with 204925 .....
200084F	11674	" " Set Screw .....
204925	10668	" " Washer .....
201572B	10881	" Thumb Nut .....
202409	10252	Tension complete, Nos. 200625F, 201572B, 202402, 202403, 202405, 202407 and 202410 .....
202410	10252	Thread Controller Spring .....
202411	10252	" " " Stop ....
200132E	10247	" " " " Screw
208574	11675	" Guide .....
202412	11675	" " .....
202415	10252	" " .....
208569	11675	" " .....
202582H	10252	" " Screw .....
200389C	10252	" " Set Screw .....
202091	10252	" Retainer Sleeve .....
202092	10252	" " Spring .....
204058	10252	" " Stud .....
200366H	10252	" " " Set Screw ....
204059	10668	Thread Retainer complete, Nos. 202091, 202092 and 204058 .....
224639	11694	Throat Plate with 202534, 224640 to 224642 and two 200582H .....
202534	10668	Throat Plate Bobbin Case Stop
200582H	10252	" " " " " "
		Screw .....
224640	11694	Throat Plate Slide .....
224641	11694	" " " Spring .....
224642	11694	" " " Stop Pin ....
200577H	11672	" " Screw (2) .....
224643	11694	Vibrating Presser Bar .....
224644	11694	" " " Connecting Link .....
202277	---	Vibrating Presser Bar Oil Packing (wick) .....
224645	11693	Vibrating Presser Foot with 200175H, 201015F and 224654 ....
201015F	11675	Vibrating Presser Foot Pinch Screw .....

## ACCESSORIES

No.	Plate	Name
202265	11671	Bobbin (5) .....
*225482	---	" Case Screw Driver Blade ..
*225483	---	" " " " Handle ..
225497	12345	Bobbin Case Screw Driver com- plete, Nos. 225482 and 225483 ..
135 x 1	---	Needles, three each, sizes 12 and 14
208591	---	Drip Pan with four wood screws $\frac{1}{2}$ in., No. 5 .....
41400	12345	Machine Rest Pin (wood) .....
36578	13245	Oiler with 36579 .....
36579	12345	" Spout, $3\frac{1}{2}$ in. long, with 120117, for 36578 .....
120117	---	Oiler Spout Washer .....
*225484	---	Screw Driver Blade .....
*225485	---	" " Handle .....
225498	12345	Screw Driver complete (7 $\frac{1}{2}$ in. long), Nos. 225484 and 225485 ..
225554	12345	Wrench (steel) .....

**BOBBIN WINDER**

**Swing Automatic, Right Hand.**

*225451	---	Bobbin Holder .....
225453	10882	Frame with 202277 and 225438 ....
225454	10882	" Hinge Pin .....
202277	---	" Oil Packing (wick) .....
225438	10882	" " Well Cap .....
225455	10882	" Spring .....
225456	10882	" " Plunger .....
202473	10883	Pulley with 200380C .....
200380C	10272	" Set Screw .....
*225443	---	Spindle .....
225452	10882	" 225443 with 225451 .....
225444	10882	Stop Latch .....
200056E	10882	" " Screw .....
225458	10882	" " Thumb Lever .....
225459	10882	" " " " Hinge Stud .....
225460	10882	Stop Latch Thumb Lever Joint Stud .....
202478	10882	Stop Latch Trip Lever .....
200299H	10882	" " " " Hinge Screw .....

No.	Plate	Name
225461	10881	Tension Bracket with 201499B ...
200082D	10881	" " Screw .....
202104	10881	" " " Washer .....
2102	10881	" Disc .....
202407	10881	" Spring .....
201499B	10881	" Stud .....
201572B	10881	" " Thumb Nut .....
225462	10881	Bobbin Winder Tension Bracket complete, Nos. 201572B, 202407, 225461 and two 2102 .....
225463	10883	Bobbin Winder and Tension Bracket Base .....
225436	10883	Universal Bobbin Winder complete, Nos. 200056E, 200082B, 200299H, 202104, 202473, 202478, 225444, 225452 to 225456, 225458 to 225460, 225462, 225463 and two round head wood screws $\frac{1}{2}$ in., No. 13 .....

## KNEE LIFTER

227781	11682	Knee Lifter Rock Lever with 200522C and 200529C .....
227782	- - -	Knee Lifter Rock Lever 227781 with two each 202451 and 202452 .....
227783	- - -	Knee Lifter Rock Lever 227782 with 202985 and 227784 .....
202453	11682	Knee Lifter Rock Lever Knee Plate with 200526C .....
202985	- - -	Knee Lifter Rock Lever Knee Plate 202453 with 202455 .....
202455	11682	Knee Lifter Rock Lever Knee Plate Arm (short) .....
200522C	11695	Knee Lifter Rock Lever Knee Plate Arm Set Screw .....
200526C	11695	Knee Lifter Rock Lever Knee Plate Set Screw .....
202451	11682	Knee Lifter Rock Lever Lug with two wood screws $\frac{3}{8}$ in., No. 13U .....
202452	11695	Knee Lifter Rock Lever Lug Hinge Pin .....
227784	11682	Knee Lifter Rock Lever Rod, 3 in. long, with 227785 .....
*227785	- - -	Knee Lifter Rock Lever Rod Cap or Oil Guard .....
200529C	11695	Knee Lifter Rock Lever Rod Set Screw .....

(Other Knee Lifter parts are listed with parts of machine head.)

No.	Plate	Name
<b>RIBBON REEL</b>		
225663		Ribbon Reel (9 in. diam.) with 225666 and three 205520 .....
225664		Ribbon Reel Supporting Spindle
225665	11695	" " " " " Base with 225664 and two wood screws $\frac{3}{4}$ in., No. 7 .....
230471		Ribbon Reel Supporting Spindle Hub .....
225666	11695	Ribbon Reel Supporting Spindle Hub 230471 with 225980 .....
225980		Ribbon Reel Supporting Spindle Hub Base .....
205520	11695	Ribbon Reel Supporting Spindle Hub Base Rivet .....
225976		Ribbon Reel (9 in. diam.) complete, Nos. 225663 and 225665 .....



## BINDER

No.	Plate	Name
224603	11696	Binder Base Plate with 224604, 224605 and five 225671 .....
208319	11695	Binder Head, .030 in. opening, for tapes or folded strips from $\frac{1}{8}$ to $\frac{3}{4}$ in., in steps of $\frac{1}{16}$ inch .....
208326	11695	Binder Head Adjusting Lever .....
200292e	11695	" " " " Hinge Screw .....
208327	11695	Binder Head Adjusting Lever Hinge Screw Washer .....
200133e	11695	Binder Head Screw .....
208318	11695	" " Slide Block .....
208329	11695	" Tape Guide, for tapes or folded strips from $\frac{1}{8}$ to $\frac{3}{4}$ in., in steps of $\frac{1}{16}$ inch .....
200907b	11695	Binder Tape Guide Screw .....
224604	11696	" " Tension Pin .....
225671	11696	" " " " .....
224605	11696	" " " " Roller .....
224606		Binder complete, .030 in. opening, for tapes or folded strips from $\frac{1}{8}$ to $\frac{3}{4}$ in., in steps of $\frac{1}{16}$ in., Nos. 200292e, 208318, 208319, 208326, 208327, 208329, 224603, two each 200133e and 200907b ..

## KNIFE GRINDER

224646		Emery Wheel .....
206962	11697	" " Driving Shaft .....
201510b	11698	" " " " Nut .....
204101	11698	" " " " " " Washer .....
206963	11698	Emery Wheel Driving Shaft Pulley with two 200403c .....
200403c	11698	Emery Wheel Driving Shaft Pulley Set Screw .....

No.	Plate	Name
206969		Emery Wheel Washer (paper) ..
206964	11697	Frame with two 54897 .....
54897	11698	" Oil Cup .....
202126	11698	Knife Bracket Ring Position Pin ..
201399b	11698	" Clamping Thumb Screw ..
224647	11697	" Holder Slide Bracket .....
224648		" " " " " " 224647 with 200326c, 201021c, 201399b, 201528e, 202126 and 224651 .....
224649	11698	Knife Holder Slide Bracket Adjusting Collar with 200353c .....
200353c	11698	Knife Holder Slide Bracket Adjusting Collar Set Screw .....
200326c	11698	Knife Holder Slide Bracket Adjusting Screw .....
201528e	11698	Knife Holder Slide Bracket Adjusting Screw Nut .....
206966	11697	Knife Holder Slide Bracket Adjusting Screw Slide Plate .....
200577h	11672	Knife Holder Slide Bracket Adjusting Screw Slide Plate Screw .....
200457b	11698	Knife Holder Slide Bracket Adjusting Thumb Screw .....
201021c	11698	Knife Holder Slide Bracket Set Screw .....
224650	11697	Knife Holder Slide Bracket Shaft " " " " " " Spring .....
205711	11698	Knife Holder Slide Bracket Shaft Spring Collar with 200380c .....
227224	11698	Knife Holder Slide Bracket Shaft Spring Collar Set Screw .....
200380c	10272	Knife Holder Slide Bracket Shaft Spring Collar Set Screw .....
224651	11698	Knife Position Pin .....
224652		Knife Grinder complete, Nos. 200457b, 200577h, 201510b, 204101, 205711, 206962 to 206964, 206966, 224646, 224648 to 224650, 227224 and two 206969 .....

### OBSOLETE PARTS

No.	Plate	Name
202470	10271	Bobbin Winder Base .....
202471	10271	" " Frame .....
202472	10271	" " Spring .....
202474	10271	" " Spindle .....
202475	10272	" " Stop Latch .....
202477	10272	" " " " Thumb Lever .....
202479	10271	Bobbin Winder complete, Nos. 200056E, 200161D, 200221D, 201537D, 202470 to 202475, 202477, 202478, three 200299H and two round head wood screws 1 in., No. 13
202480	10271	Bobbin Winder Spool Holder Base with 200355H and 202484 .....
202481	10271	Bobbin Winder Spool Holder Base Spool Pin .....
202482	10272	Bobbin Winder Spool Holder Ten- sion Disc (lower or upper) ....
202483	10272	Bobbin Winder Spool Holder Ten- sion Disc Spring (brass) .....
202484	10272	Bobbin Winder Spool Holder Ten- sion Disc Thread Guide .....
202485	10271	Bobbin Winder Spool Holder com- plete, Nos. 200011E, 202480, 202481, 202483, two 202482 and one wood screw 1 in., No. 13 ..

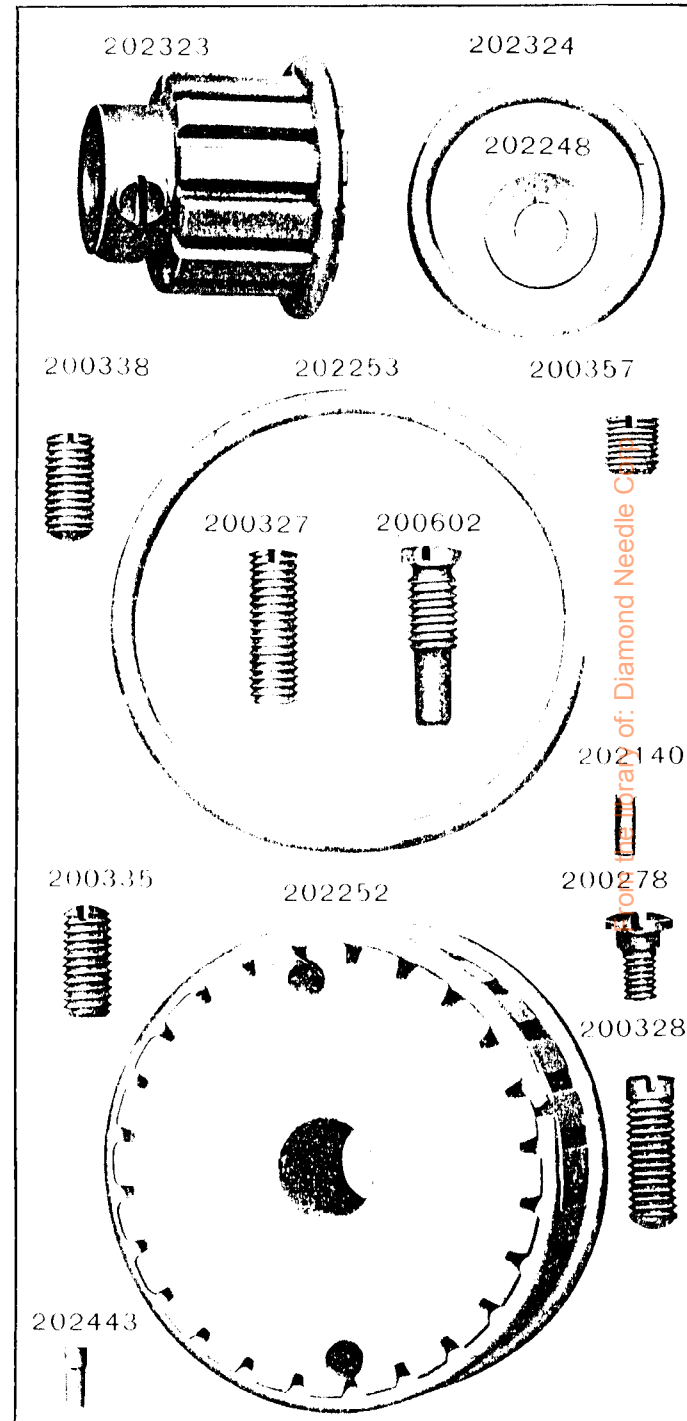


PLATE 10247—FULL SIZE

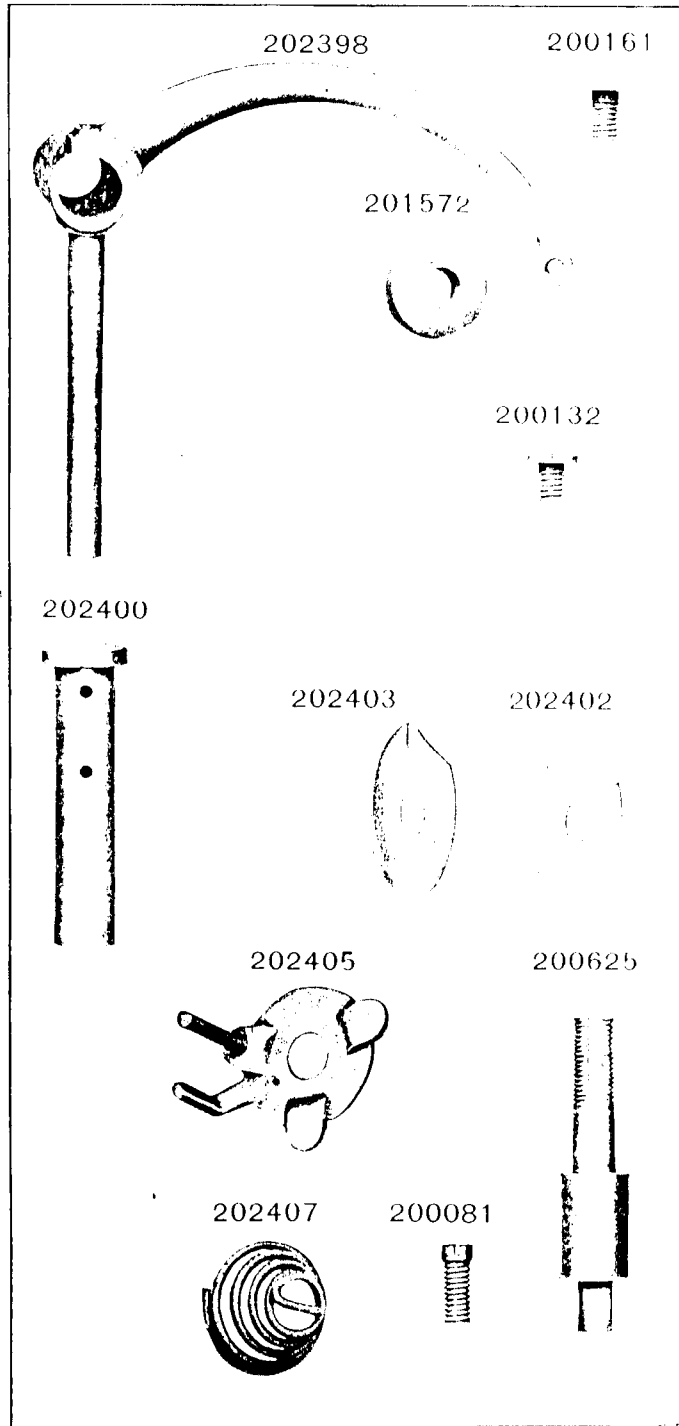
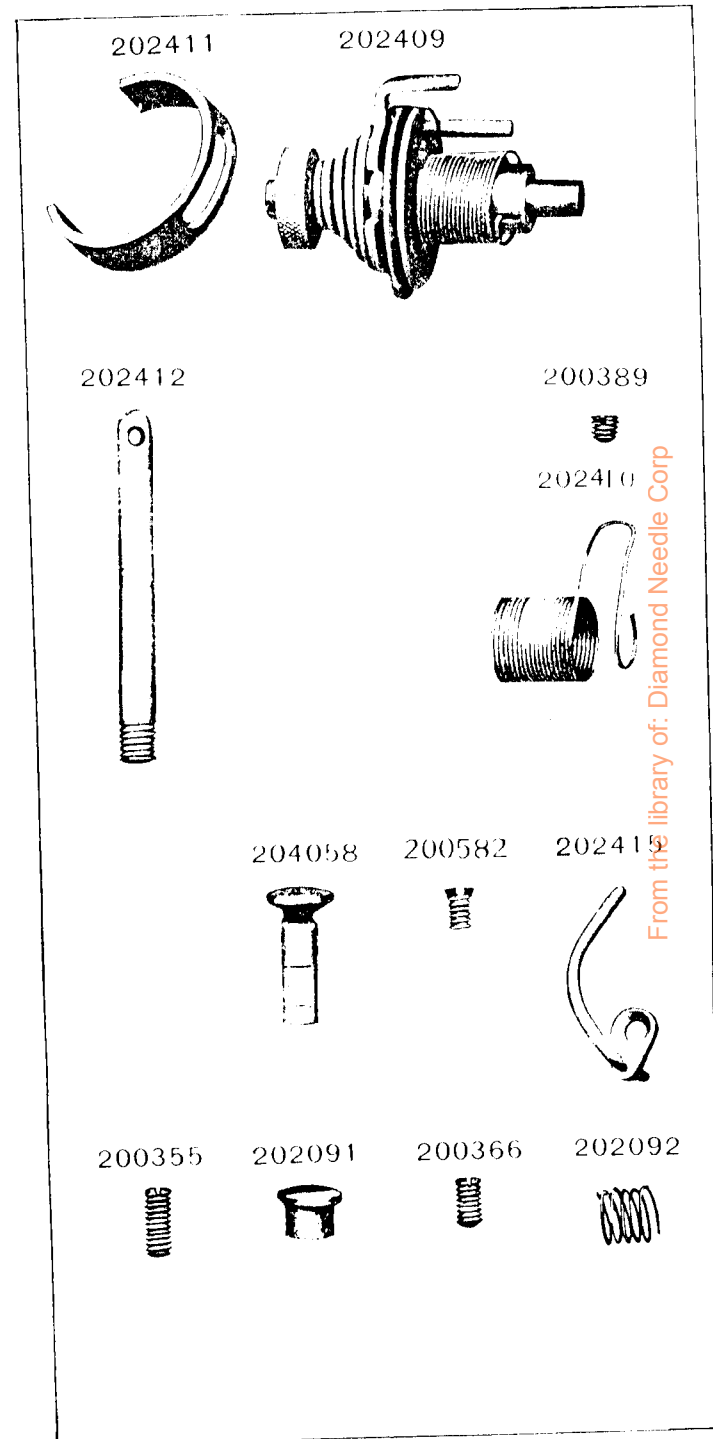


PLATE 10252—FULL SIZE



From the library of: Diamond Needle Corp

PLATE 10271--ONE-HALF SIZE

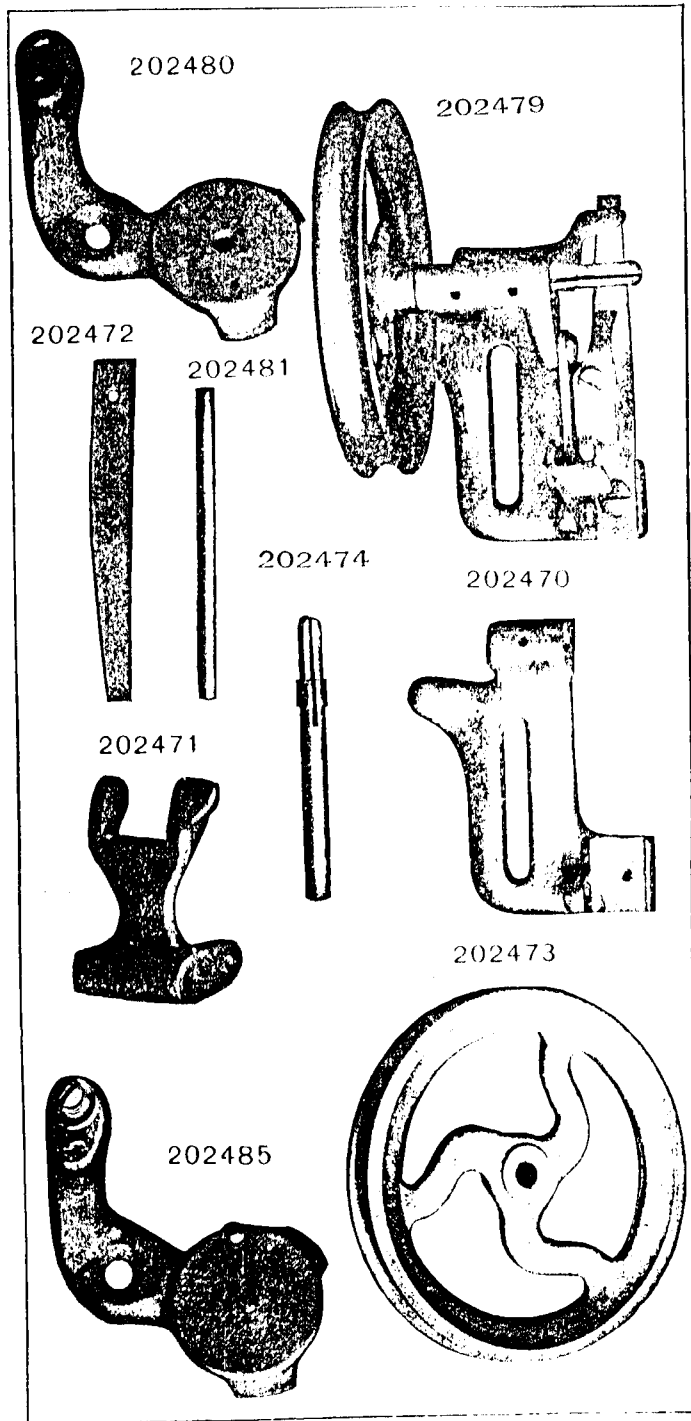


PLATE 10272--FULL SIZE

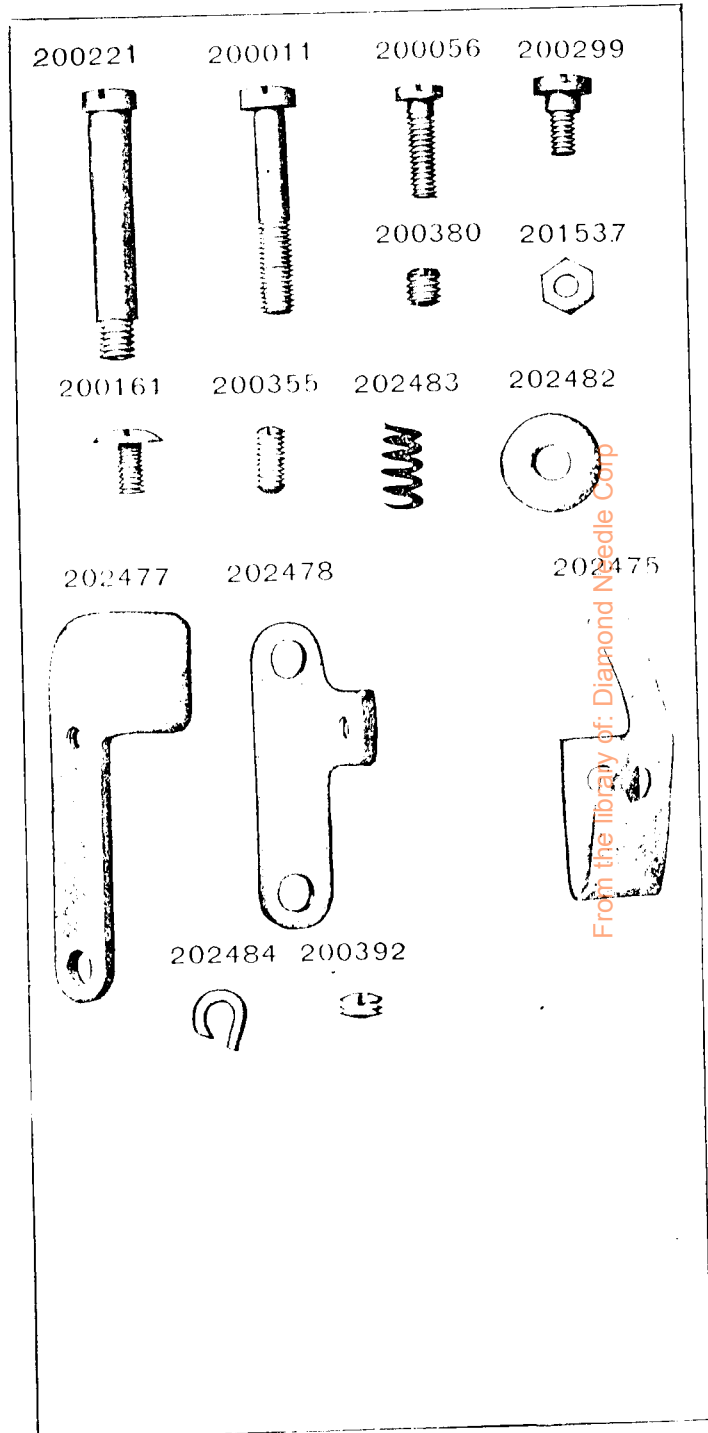


PLATE 10668—FULL SIZE

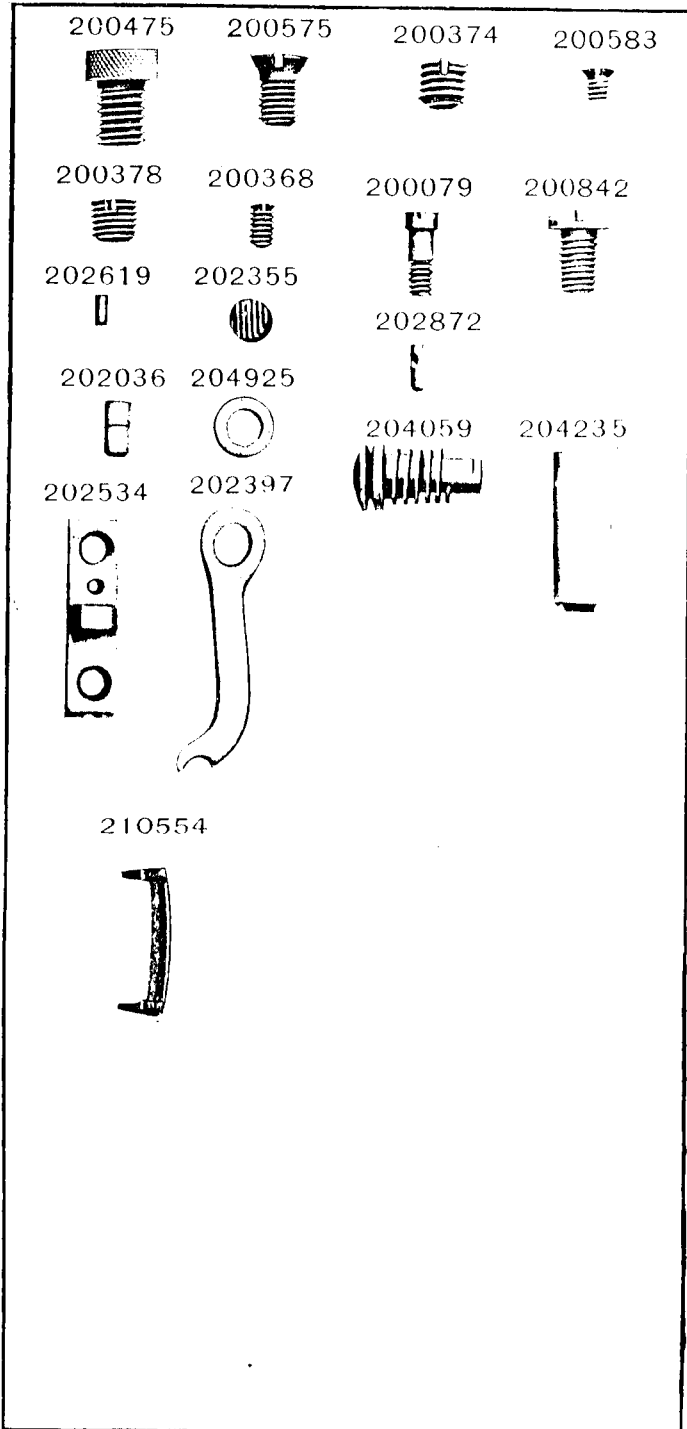
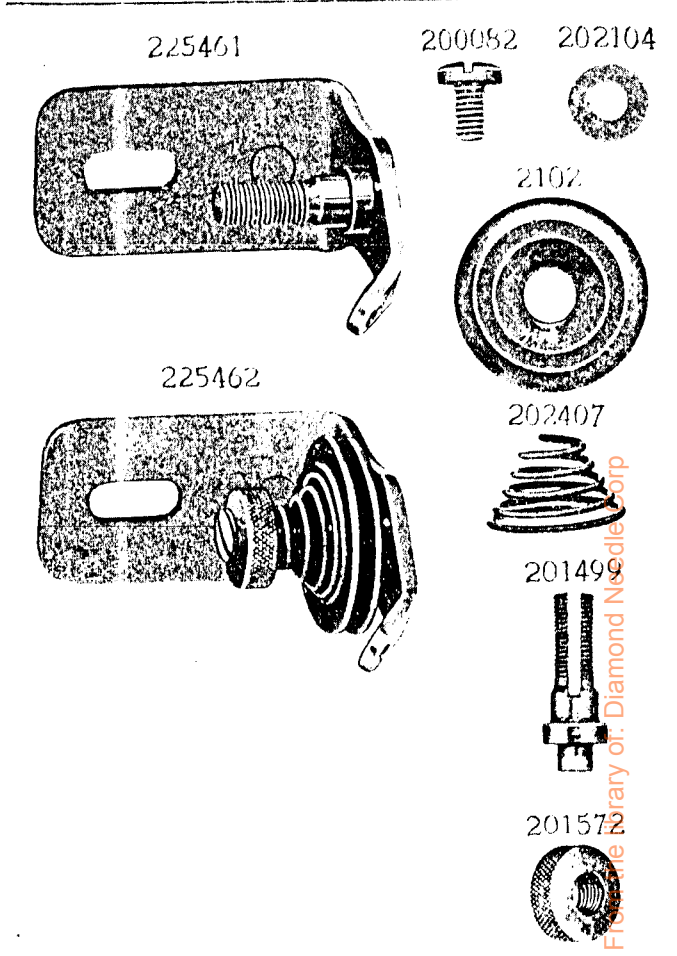


PLATE 10881—FULL SIZE



Copyright © 1964 by Diamond Needle Corp.

PLATE 10882—FULL SIZE

225453



225455



225438



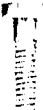
225457



201052



200056



225456



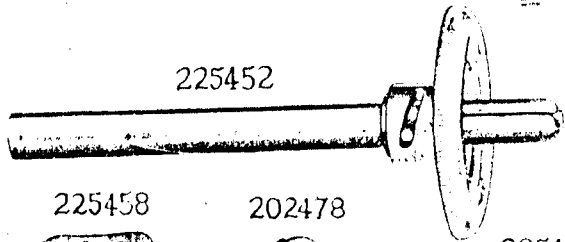
200299



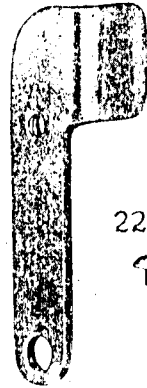
225454



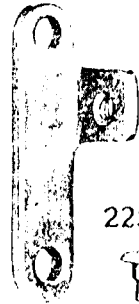
225452



225458



202478



225444



225459



225460



PLATE 10883—ONE-FOURTH SIZE

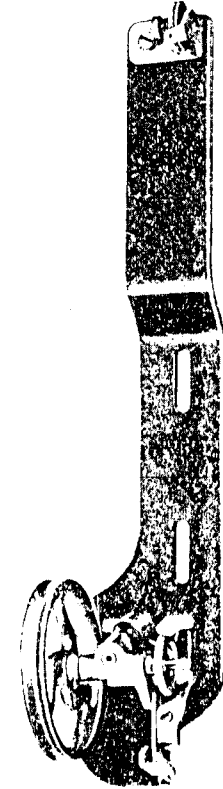
225463



202473



225436



From the library of: Diamond Needle Corp

PLATE 11670-ONE-HALF SIZE

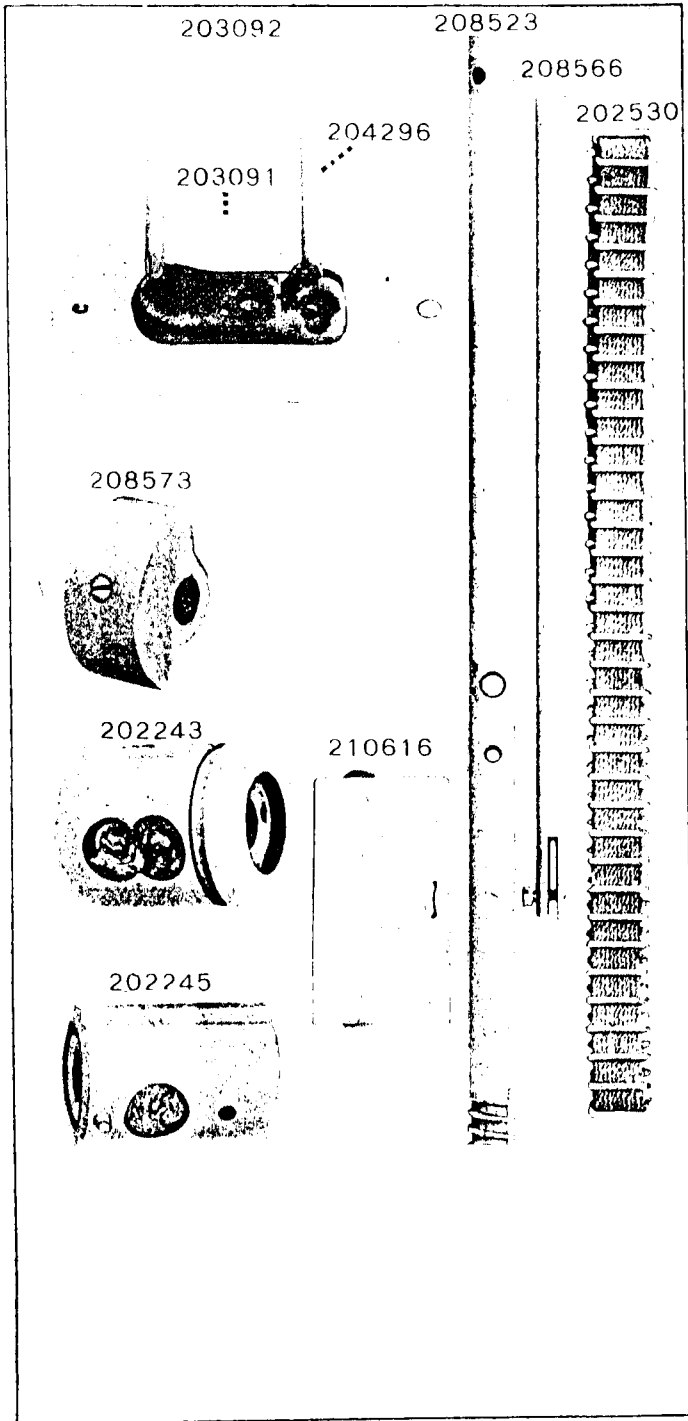
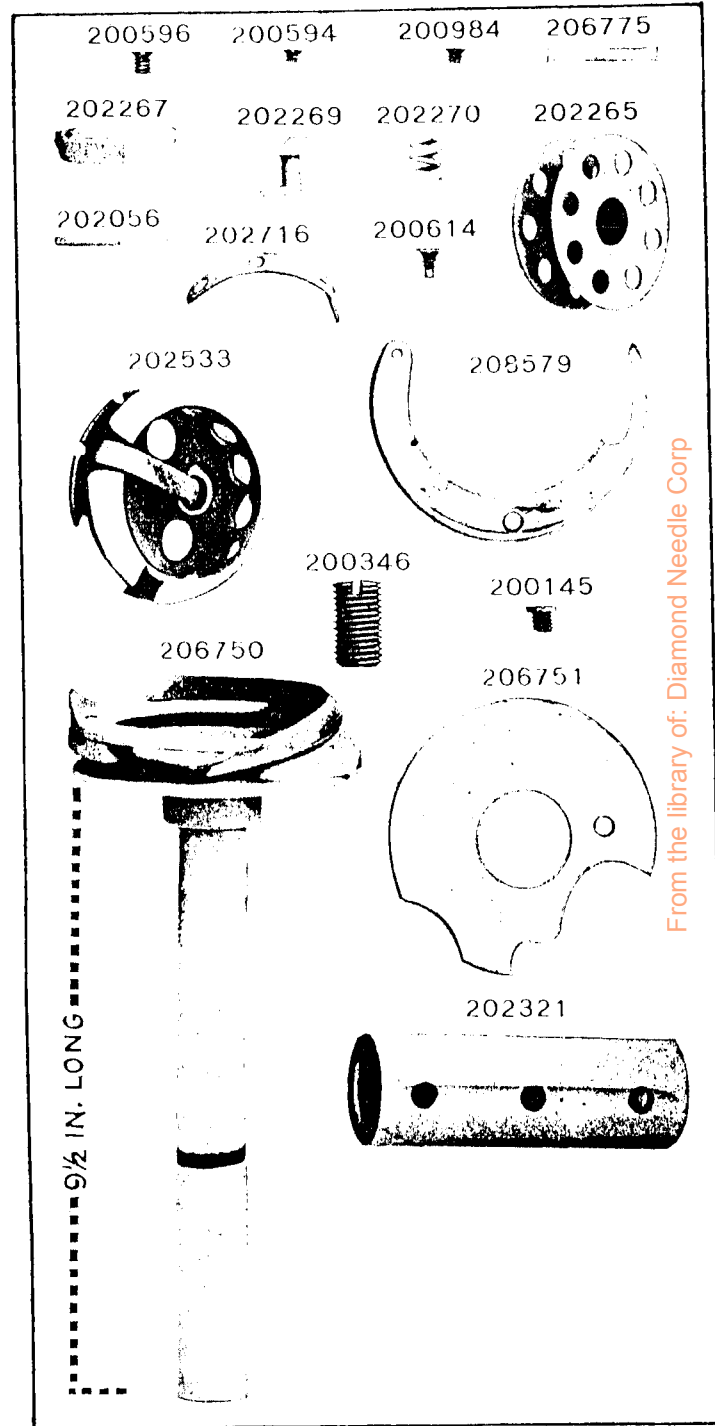


PLATE 11671-FULL SIZE



From the library of: Diamond Needle Corp

PLATE 11672 - FULL SIZE

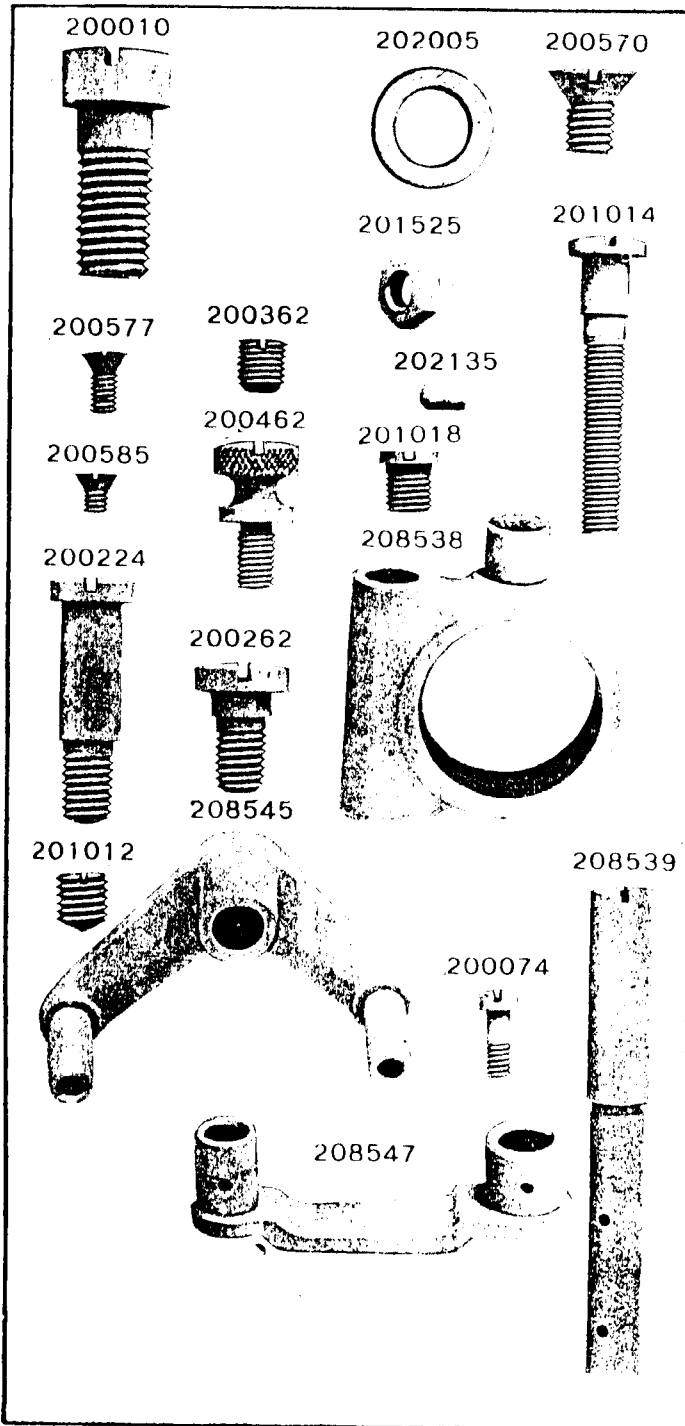
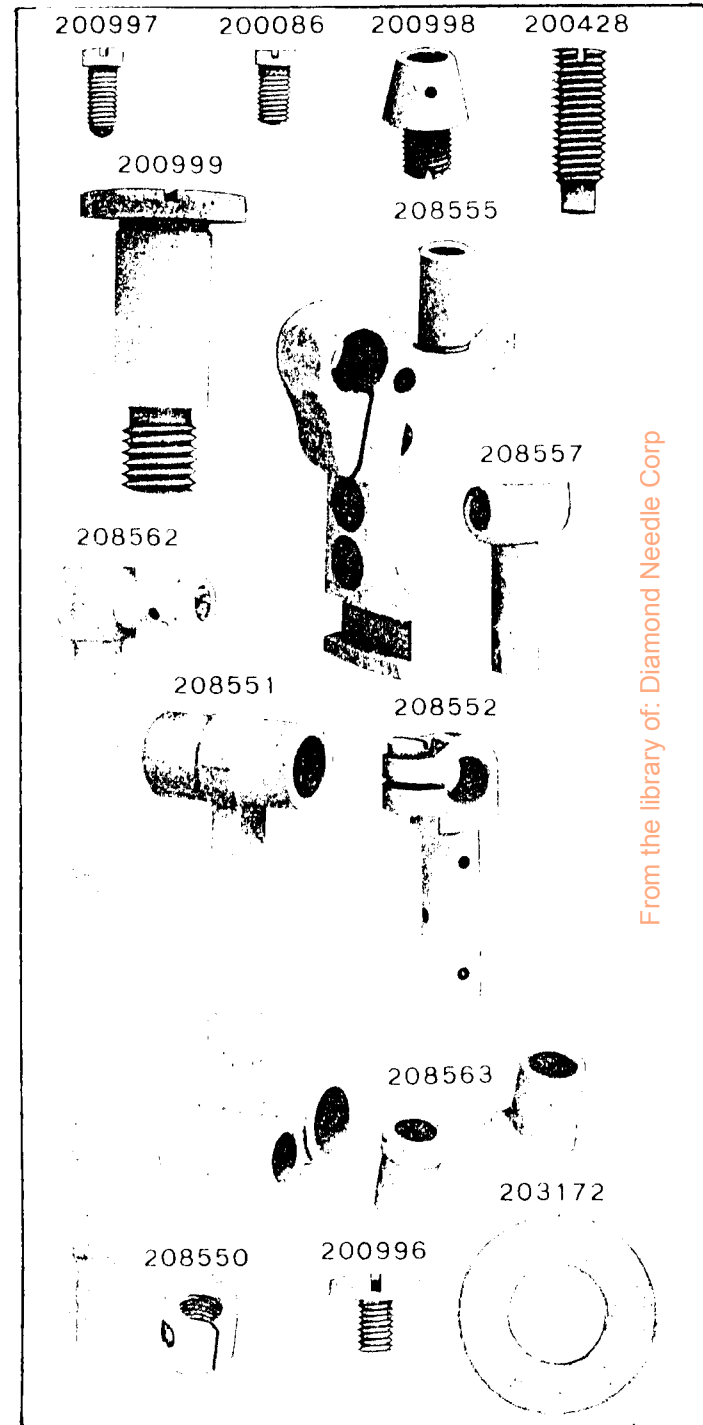


PLATE 11673 - FULL SIZE



From the library of: Diamond Needle Corp



PLATE 11674 - FULL SIZE

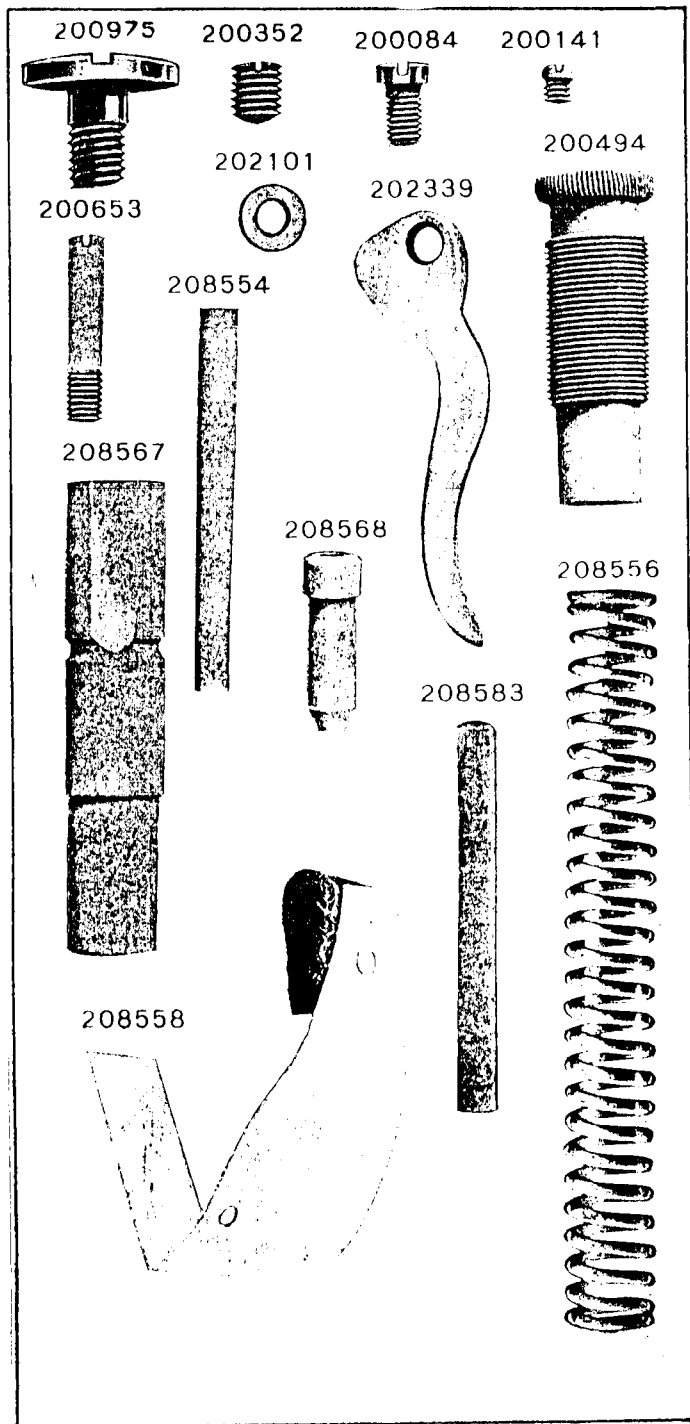


PLATE 11675 - FULL SIZE

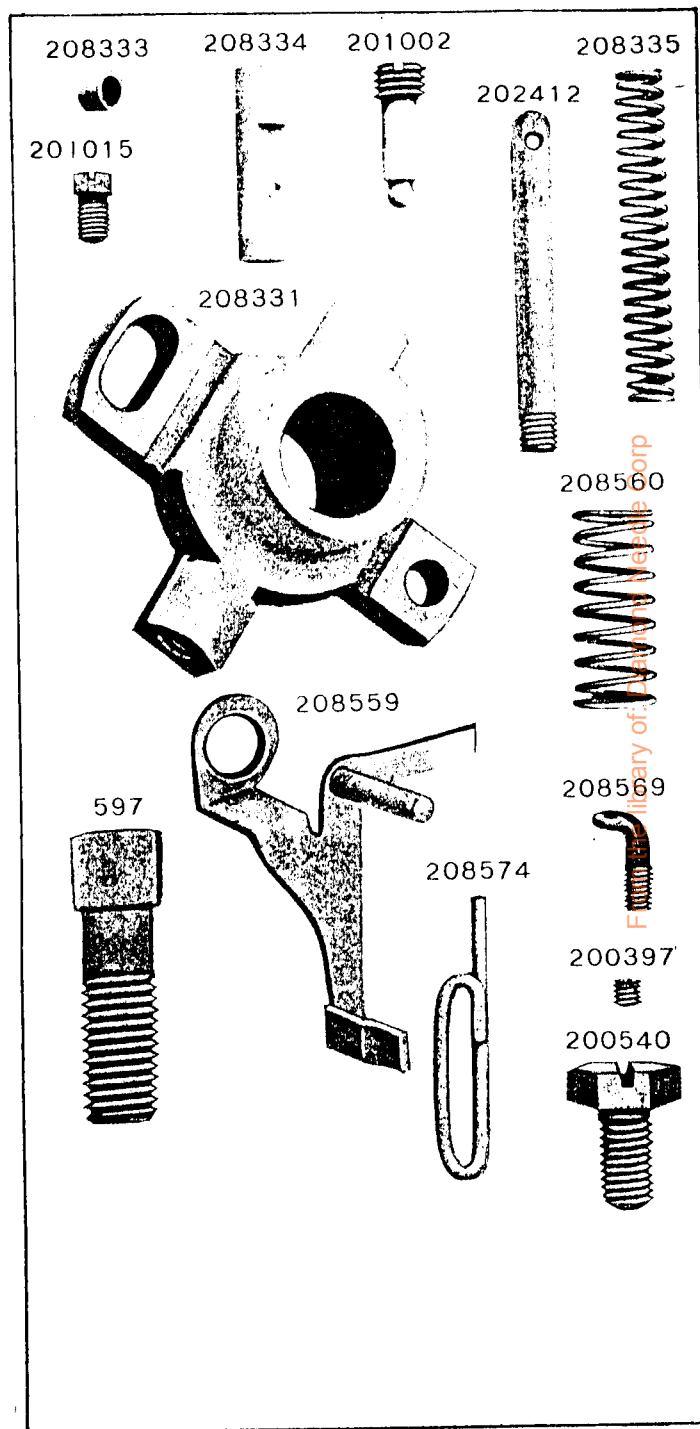


PLATE 11682-ONE-FOURTH SIZE

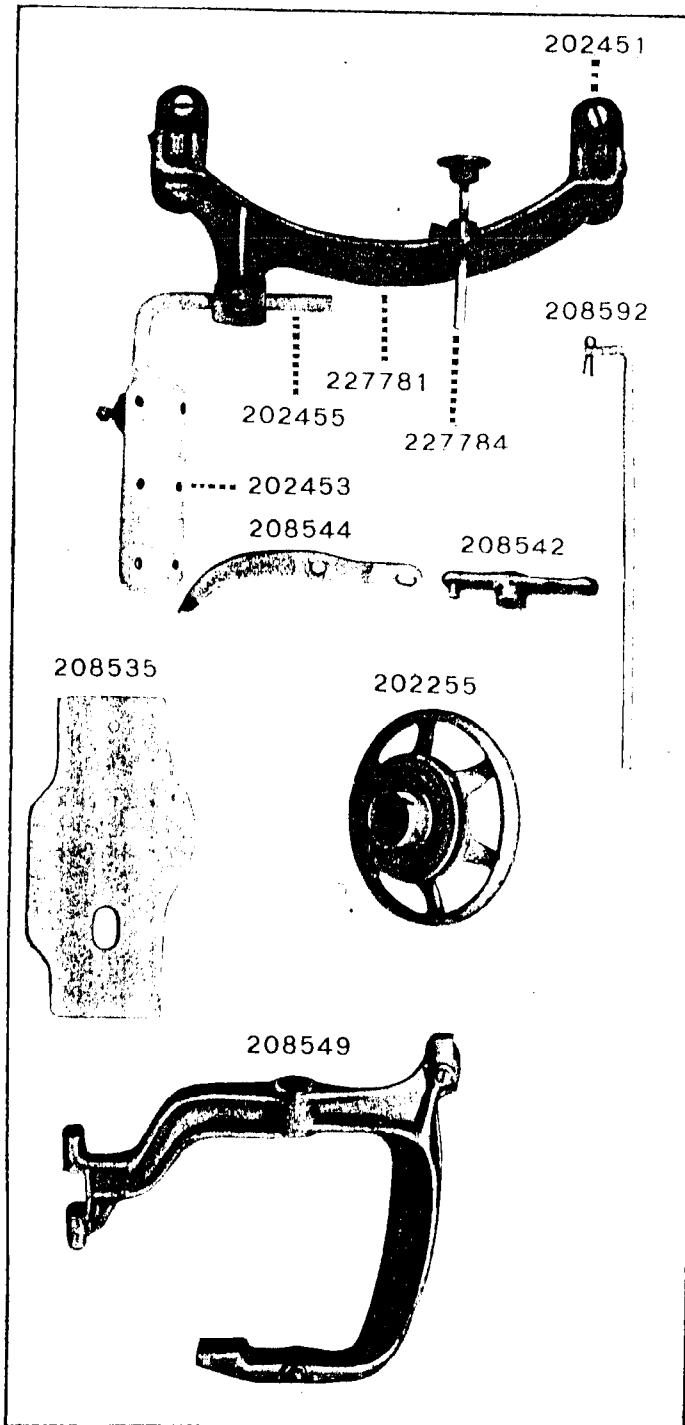


PLATE 11691-FULL SIZE

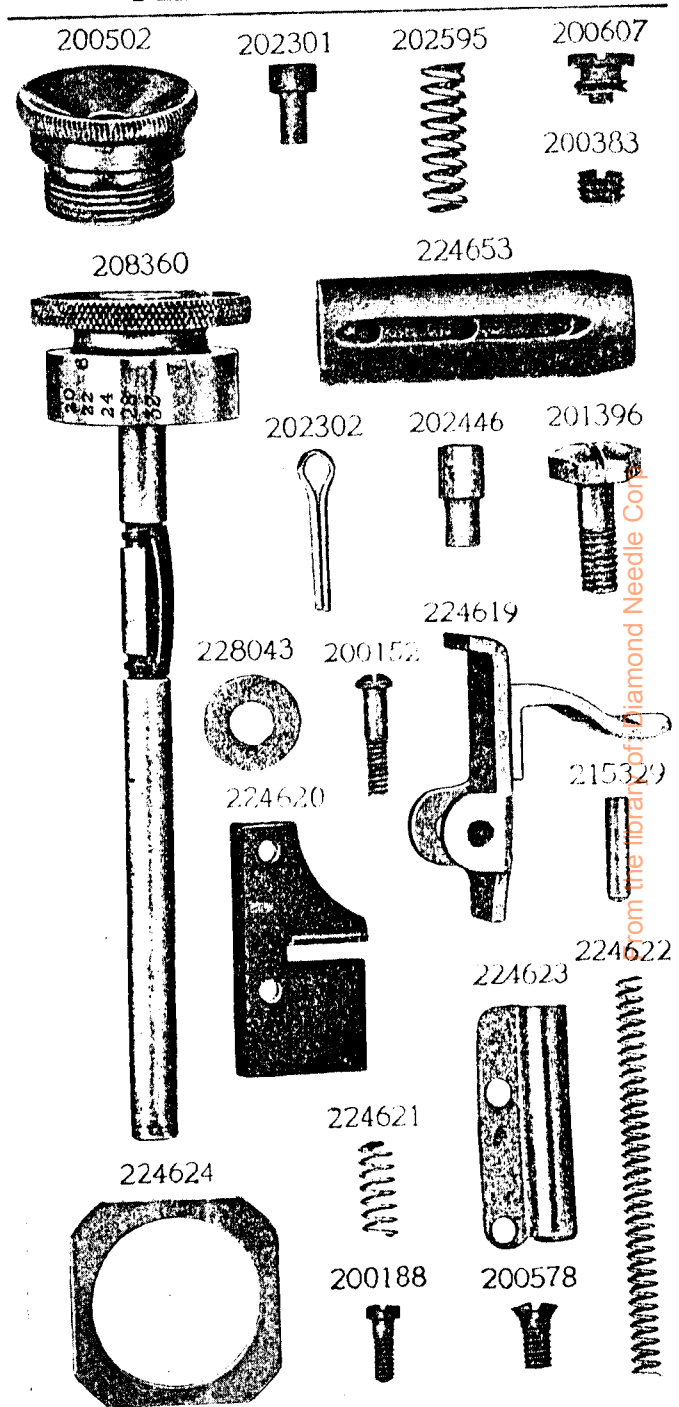
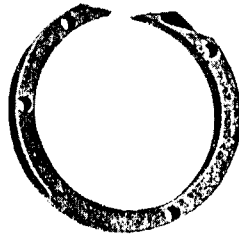


PLATE 11692—ONE-HALF SIZE

224613



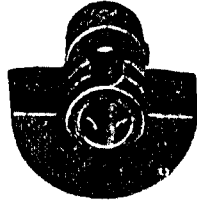
224614



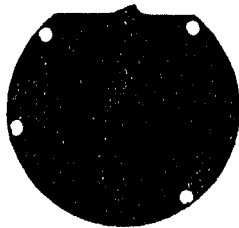
224612



224633



224615



224616

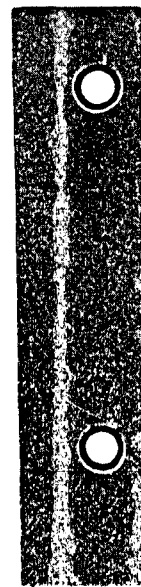


224617



PLATE 11693—FULL SIZE

224625



224626



224627



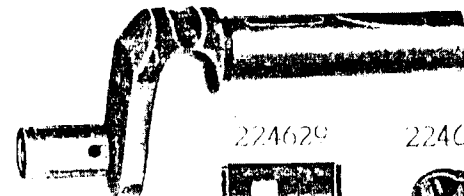
224632



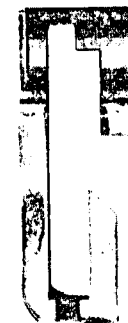
200125



224628



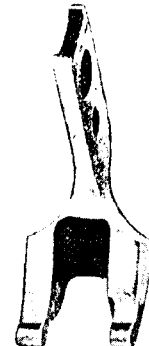
224629



224645



224630



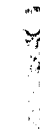
200175



200054



224654

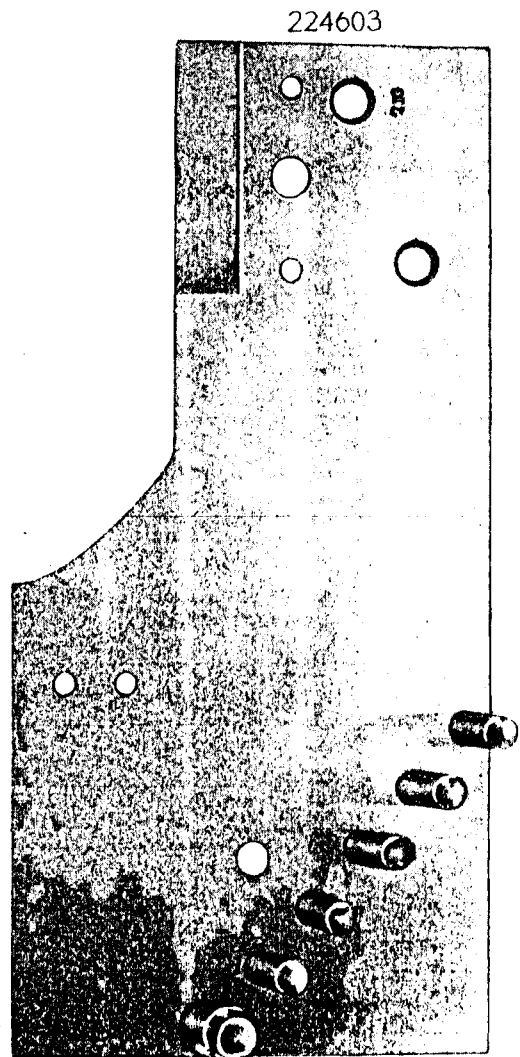


201287



From the library of: Diamond Needle Corp

PLATE 11696—FULL SIZE



224603

224604



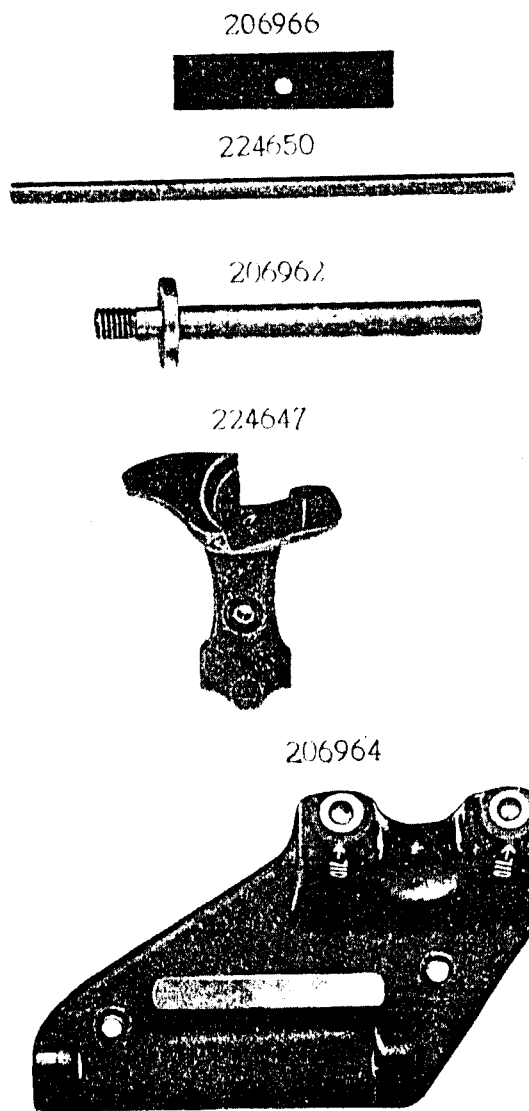
224605



225671



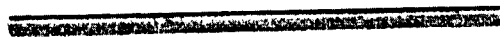
PLATE 11697—ONE-HALF SIZE



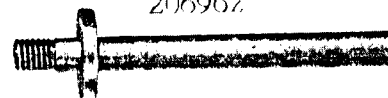
206966



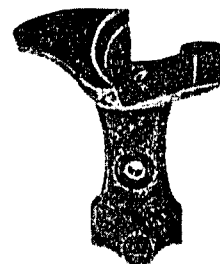
224650



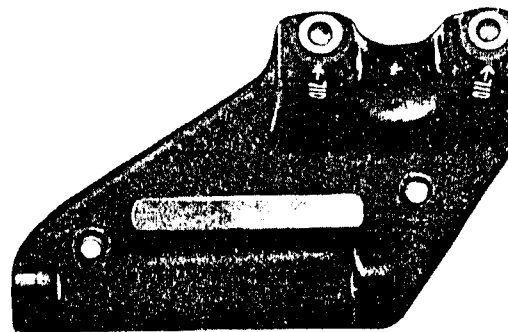
206962



224647



206964



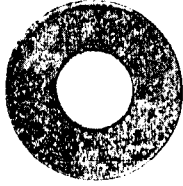
From the library of: Diamond Needle Corp

PLATE 11698—FULL SIZE

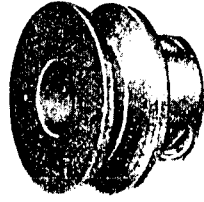
201510



204101



206963



200403



54897



202126



201399



224649



200353



200326



201528



201021



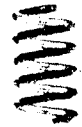
200457



224651



205711



227724



PLATE 12345—ONE-HALF SIZE

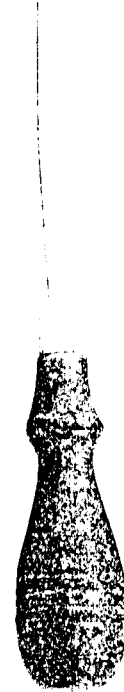
41400



225497



225498



202258

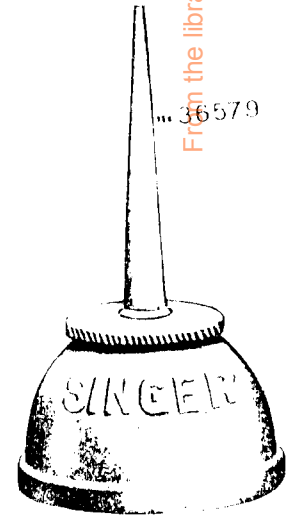


36578

225554



36579



From the library of: Diamond Needle Corp